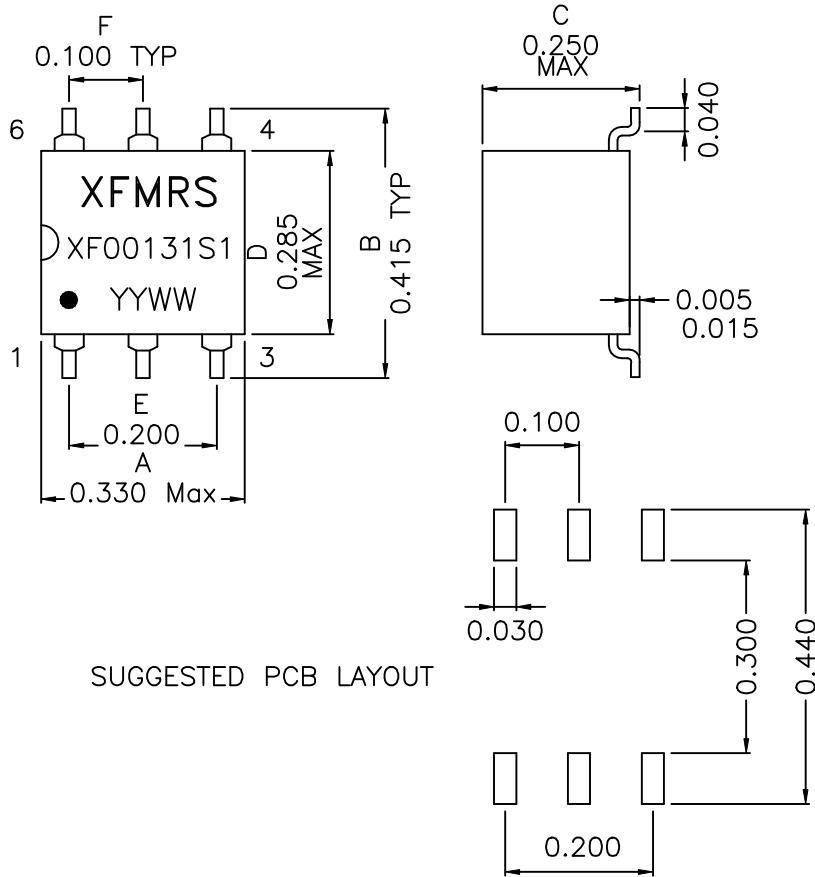
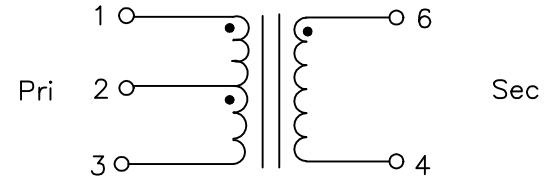


1. Dimensions:



SUGGESTED PCB LAYOUT

2. Schematic:



3. Electrical Specifications: @25°C

- Isolation Voltage: 1500Vrms (PRI/SEC)
- Turns Ratio: 1CT:1 ±5% (PRI:SEC)
- PRI OCL: 1.2mH Minimum @100KHz 50mV
- PRI LL: 0.50uH Maximum @100KHz 50mV (SEC Shorted)
- Cw/w: 25pF Maximum @100KHz 50mV (PRI/SEC)
- DCR: P1-3 0.70 Ohms Maximum

Note:

1. Solderability: Leads shall meet MIL-STD-202, Method 208D for solderability.
2. Flammability: UL94V-0,
3. ASTM oxygen index: > 28% ,
4. Temperature rating: 155°C. UL file E151556,
5. Operating Temperature Range: All listed parameters are to be within tolerance from -40°C to +85°C

DOC. REV A/2

XFMRS Inc	Title: T1/CEPT/DS1 MAGNETICS TRANSFORMERS		
	UNLESS OTHERWISE SPECIFIED	P/N: XF00131S1	REV. A
TOLERANCES: .xxx ±0.010	DWN.	廖玉坤	May-25-01
Dimensions in Inch	CHK.	李清儿	May-25-01
SCALE 2:1 SHT 1 OF 1	APP.	Joe Huff	May-25-01